

SP-EX1010/AO/EU



Features:

- compact structure, aggregated with pan & tilt, switch controller, shield and integrated camera
- Variable high resolution camera for selection
- RS-485 feed back the pan & tilt
- Pan & tilt orientation display, camera zoom display, inside dome temperature display
- Built-in function menu, the camera, pan & tilt function can be set
- 128 preset positions with precision error less than 0.1°
- Alterable auto tour speed can be set to $1^{\circ}\sim 40^{\circ}/\text{sec}$
- Preset target speed: $80^{\circ}/\text{sec}$ for pan, $40^{\circ}/\text{sec}$ for tilt
- Manual control speed for pan : $0.1^{\circ}\sim 80^{\circ}/\text{s}$ · Manual control speed for tilt : $0.1^{\circ}\sim 40^{\circ}/\text{s}$
- 360° continuous pan rotation, auto flip function for tilt rotation
- Change speed proportionally--Pan/tilt speed and the depth of zoom lens decline proportionally
- 8 preset tour functions, dwell time can be set
- Powering on self-restoring style—users can assign the movement after powering on.
- Quick and convenient electric connection
- Embed in surge and lightning protector.
- Meeting IP66 、CE 、ROSH 、FCC standards
- Two mounting style: Pedestal Mounting or Wall Mounting (optional)

Protocol and Baud Rate:

- PELCO“P”
- PELCO“D”
- Baud Rate : 1200b/2400b/4800b/9600b

Features of the Pan & Tilt:

Manual control speed	SP-EX1010/AO/EU
Pan speed	0.1°~80°/sec
Tilt speed	0.1°~40°/sec
Manual control speed	
Pan speed	80°/sec
Tilt speed	40°/sec
auto scan speed	1°~40°/sec can be set
Pan running	360° continuous pan rotation
Tilt running	+35°~ -85° tilt rotation

Electrical index:

Input voltage	220VAC; 110VAC; 24VAC
Input power	65VA (maximum)
Operation temperature	-40°C~60°C

Infrared light Parameter:

IR Lens Feature

Integrated with 7 pieces of 1W (850nm) IR Lens and 6 pieces of $\Phi 8$ (850nm) new model visible LED Chip. Making the efficiency of light conversion higher by two kinds of different IR Lens, and the effective distance of transmission is over 100 meters. The element adopts high capacitance of cooling technology to enhance the efficiency of light conversion more than 15%, and prolong the life-span at the same time. The circuitry adopts constant flows to ensure the IR lens tube is working in constant flows at any time. Effectively avoid elevated temperature, lighting tubes' minus temperature characteristic and vicious circle of electrical current.

These measures offer sufficient guarantee for IR lighting tube's reliability and duration.

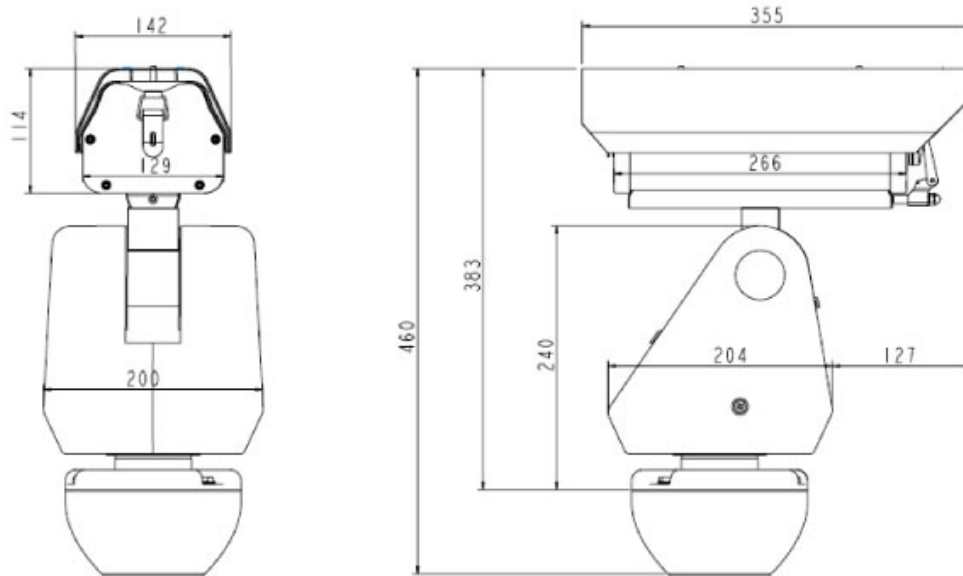
Technical Parameter

Distance	> 100m
Angle	45°
IR Lens	two pairs of 7X 1W · 6X $\Phi 8$
Voltage	DC12V
Power	2X6W
Measurement(LXWXH)	two units of $\Phi 108$ X 85mm
Net Weight	2X 0.5kg

Operations of the IR Lens:

1. Press 95, press "9"+"5"+"preset"
2. Enter INFRARED in the AUX menu. ON means open IR, it will starts work when the illumination is lower than ILUX. OFF means close IR.

Dimension:



Wall bracket mounting

or



Preset speed